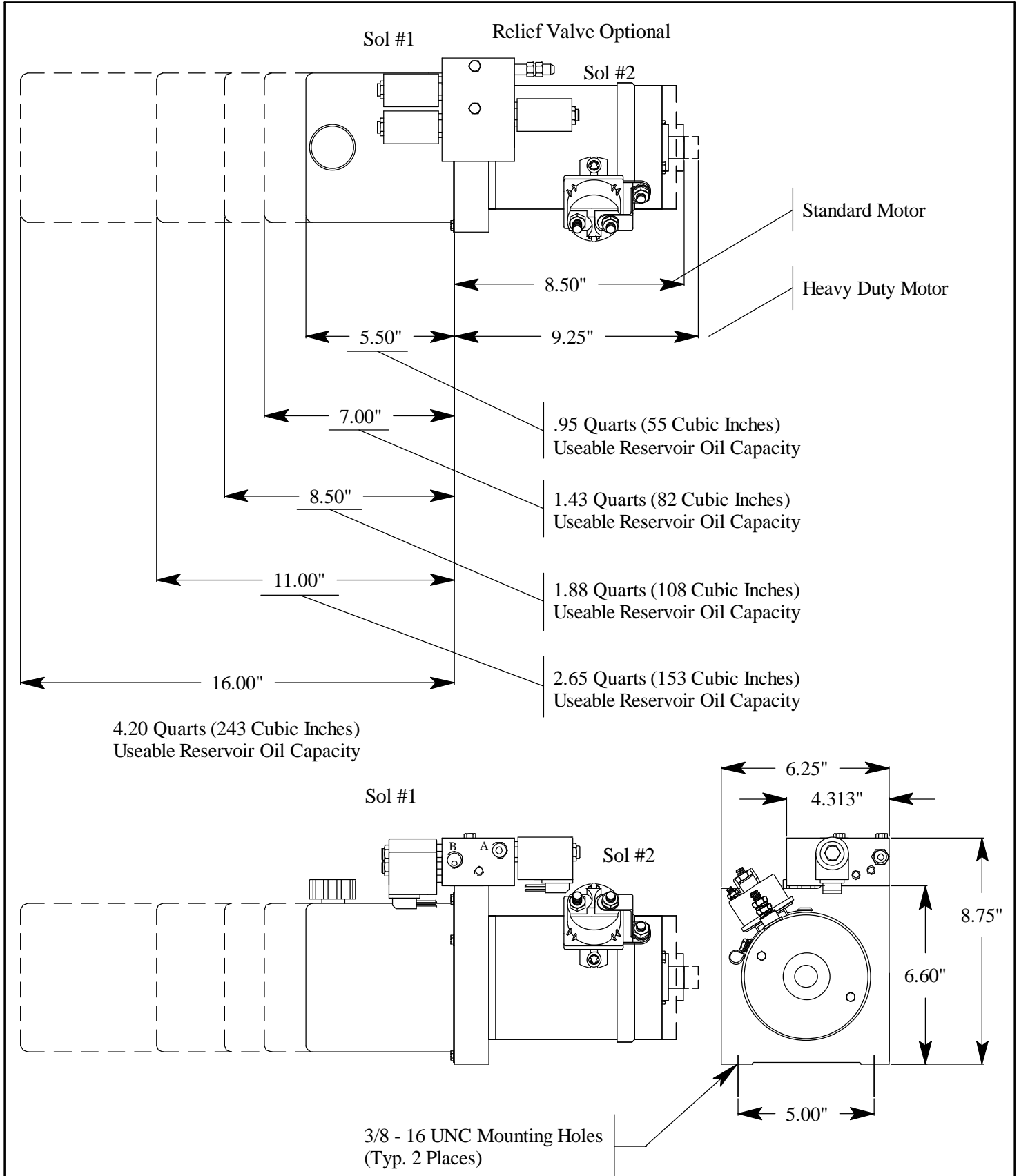
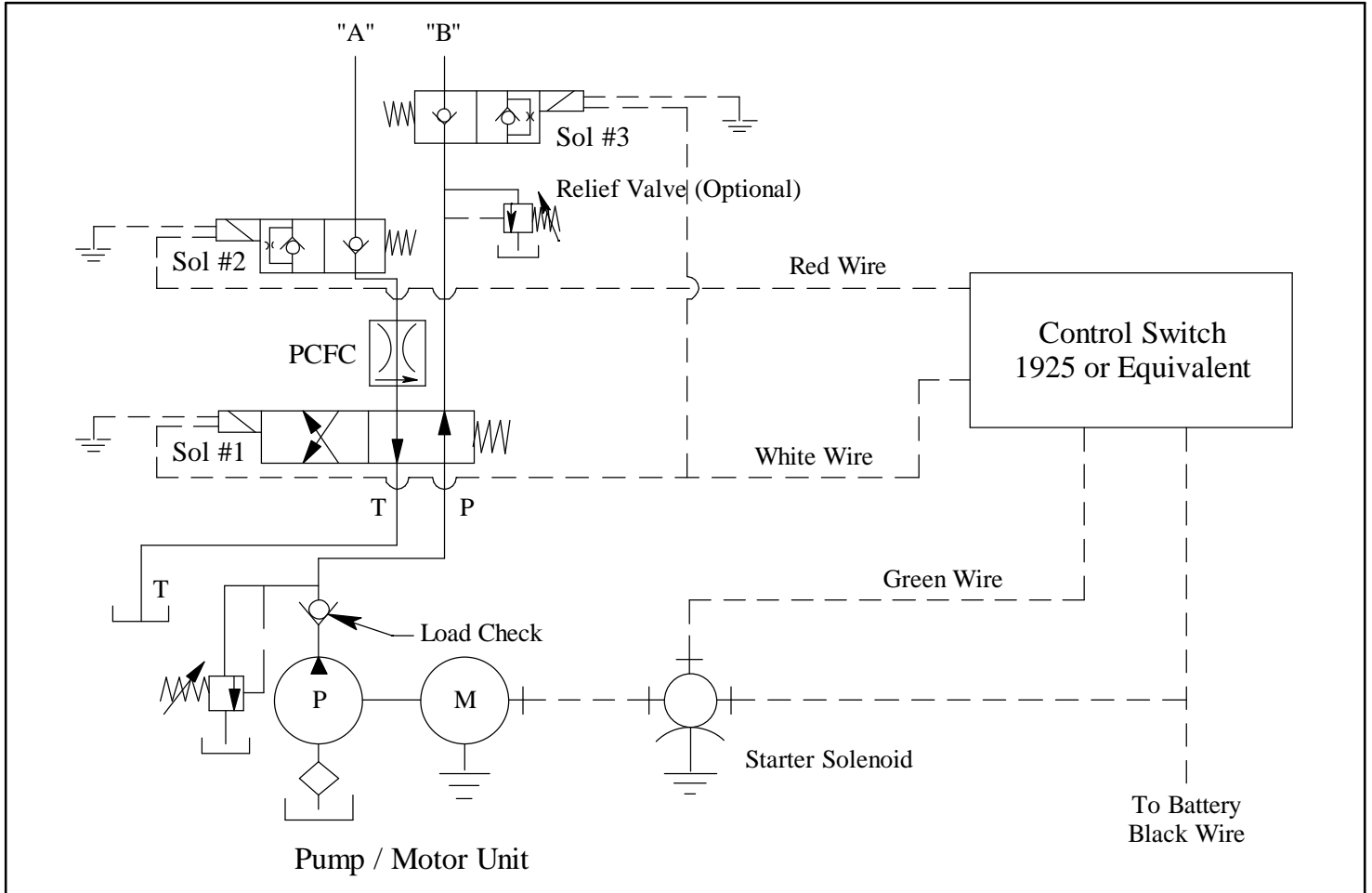


#21 Double Acting Solenoid Valves, 4-Way / 2-Position, 2) Checks, Pressure Compensated Flow Control, 3/8" NPT Ports – DC Unit Layout



Description :
12 Volt DC Piston/Gear Pump Unit with one 4-Way, 2-Position Solenoid Valve and two Solenoid Operated N/C Check Valves.

#21 Double Acting Solenoid Valves, 4-Way / 2-Position, 2) Checks, Pressure Compensated Flow Control, 3/8" NPT Ports – Schematic



System Function

Energizing Power unit, Sol # 1, and Sol # 3, oil is directed to Port "A" and oil from Port "B" is directed back to tank ("T" Port).

Energizing Power unit and Sol # 2, oil is directed to Port "B" and oil from Port "A" is directed back to tank ("T" Port).

Application

1. Power up / Power Down
2. Power extend / Power retract

Valve Characteristics

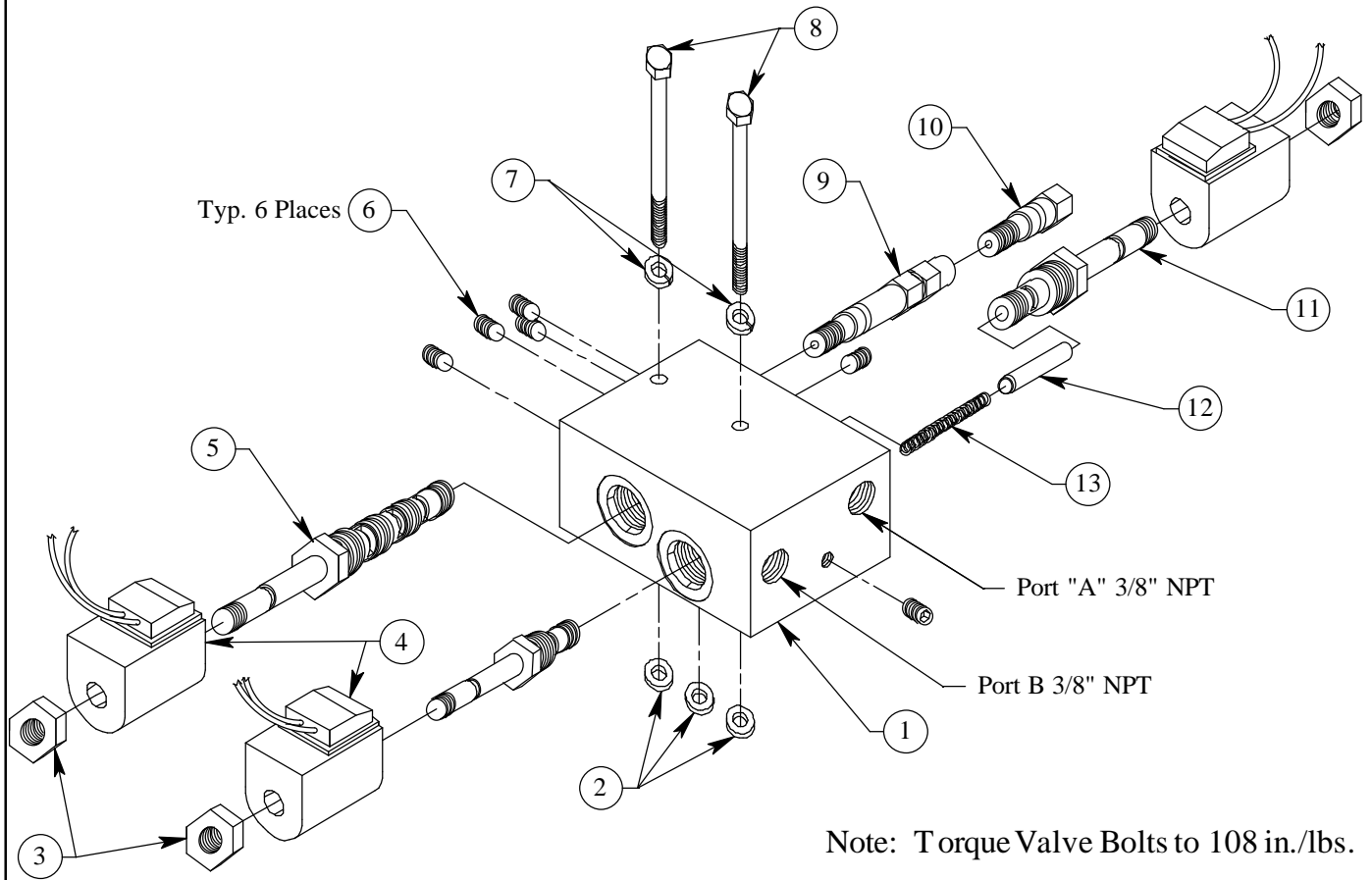
1. Uses one 4-way, 2-position spool type cartridge valve and two 2-way NC P.O. poppet type check valve, solenoid operated.
2. Aluminum manifold block machined for one 4-way, 2-position cartridge valve, two 2-way check valves and with two 3/8" NPT Ports.

Limitations

1. When lifting and/or holding a load, use port "A".
2. If valve is used in an application in which a cylinder is to be lowered with a load on it (overriding load), it should be noted that pressure surges can occur in the load holding hose.
3. This valve is stackable from the factory up to three valves.
4. Horizontal Mounting.

#21 Double Acting Solenoid Valves, 4-Way / 2-Position, 2) Checks, Pressure Compensated Flow Control, 3/8" NPT Ports – Assembly

2642



Drawing No.	Part No.	Quantity Req'd	Part Description
1	2497	1	Block, Solenoid Valve
2	1606	3	O - Ring, #2 - 010 Valve Seal
3		3	Cartridge Valve Nut
4A	2705	3	12 Volt Coil
4B	2706	3	24 Volt Coil
4C	2707	3	110 Volt Coil
4D	2708	3	220 Volt Coil
5	2704	1	Cartridge Only, 4-Way, 2-Position, Valve
6	1579	6	Plug, 1/16" NPT w/Sealant
7	1290	2	Washer, Lock (1/4" I.D.)
8	1937	2	Cap Screw, 1/4" - 20 UNC x 2.5" Long, Grade 8
9	1575	1	Relief Valve, Port (Optional)
10	1641	1	Plug, Relief Valve (Optional)
11	2703	2	Cartridge Only, 2-Way, 2-Position, N/C Check Valve
12	2498	1	Flow Control, Pressure Compensated
13	2500	1	Spring, Flow Control