



Energy Mfg. Co., Inc.
 204 Plastic Lane; Monticello IA, 52310-9472 USA
 Phone: (319) 465-3537 Fax: (319) 465-5279

ASSEMBLY DRAWINGS AND PARTS LISTS

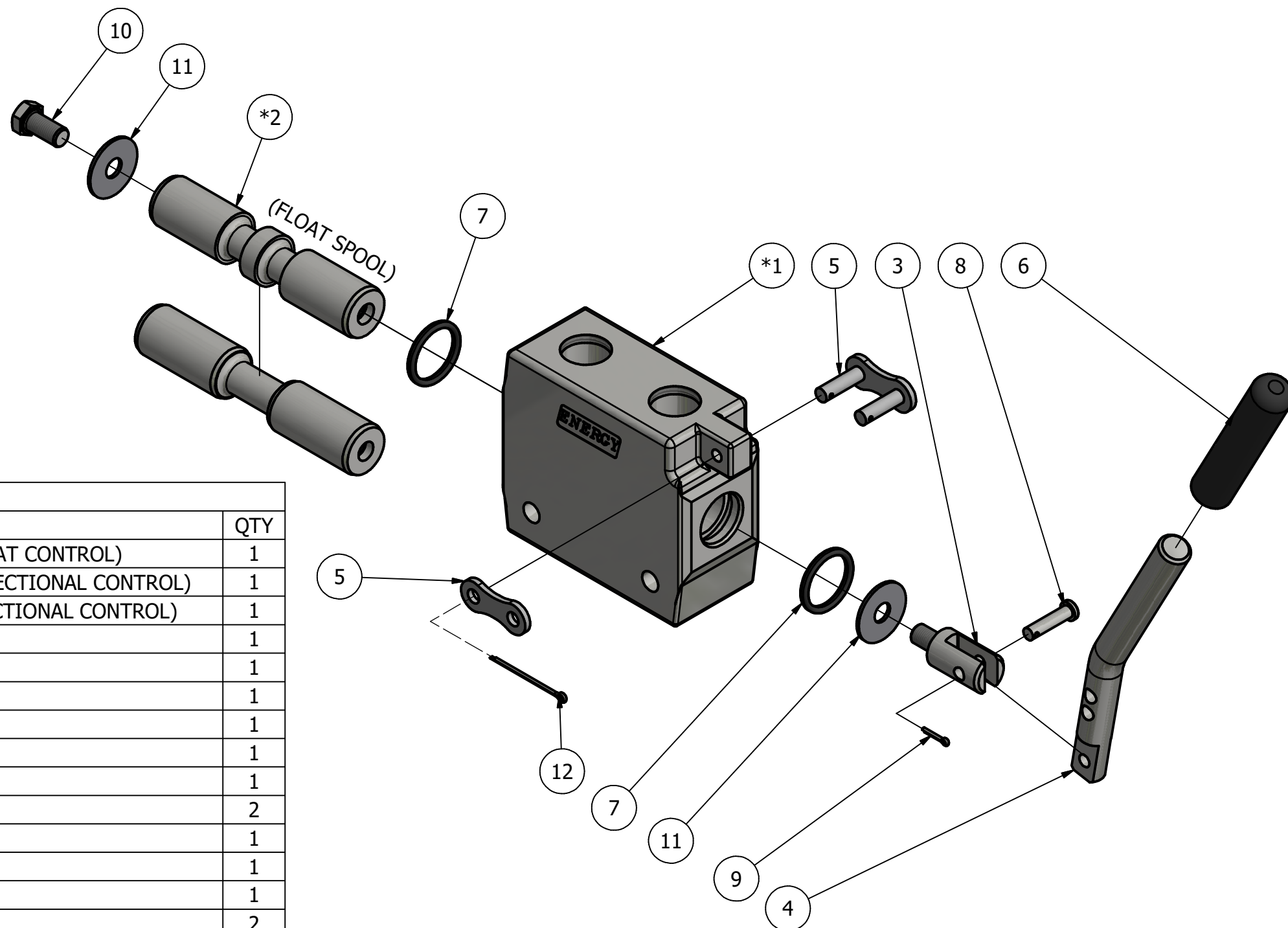
SELECTOR VALVES
OB001180, OB001239, 32098C
 website: www.energymfg.com
 e-mail address: info@energymfg.com

MODEL OB001180 - 3-WAY, 2-POSITION, DETENTED SELECTOR VALVE WITH FLOAT CONTROL AND HANDLE OPERATOR (3/4" NPTF PORTS)

MODEL OB001239 - 3-WAY, 2-POSITION, DETENTED DIRECTIONAL CONTROL SELECTOR VALVE WITH HANDLE OPERATOR (3/4" NPTF PORTS)

MODEL 32098C - 3-WAY, 2-POSITION, DETENTED DIRECTIONAL CONTROL SELECTOR VALVE WITH HANDLE OPERATOR (1-1/16"-12 UN [SAE #12] PORTS)

Maximum Operating Pressure 3000 PSIG (207 Bar)



PARTS LIST

ITEM	PART NUMBER	DESCRIPTION	QTY
*1	OB001177	SELECTOR VALVE BODY (3/4" NPTF PORTS FOR FLOAT CONTROL)	1
-	OB001177	SELECTOR VALVE BODY (3/4" NPTF PORTS FOR DIRECTIONAL CONTROL)	1
-	32116B	SELECTOR VALVE BODY (#12 SAE PORTS FOR DIRECTIONAL CONTROL)	1
*2	0A003301	FLOAT SPOOL	1
-	0A003300	DIRECTIONAL CONTROL SPOOL	1
3	0A003134	SPOOL CLEVIS	1
4	0A003299	CONTROL LEVER	1
5	0A002901	CHAIN LINK	1
6	15725A	GRIP	1
7	00080316	O-RING	2
8	00080409	CLEVIS PIN	1
9	00080414	COTTER PIN	1
10	00080796	SCREW	1
11	0A003346	WASHER	2
12	00080413	COTTER PIN	1

*NOTE: Valve body and spool are to be ordered together as they are "SELECT FITTED"

ASSEMBLY DRAWINGS AND PARTS LISTS

ENERGY[®]

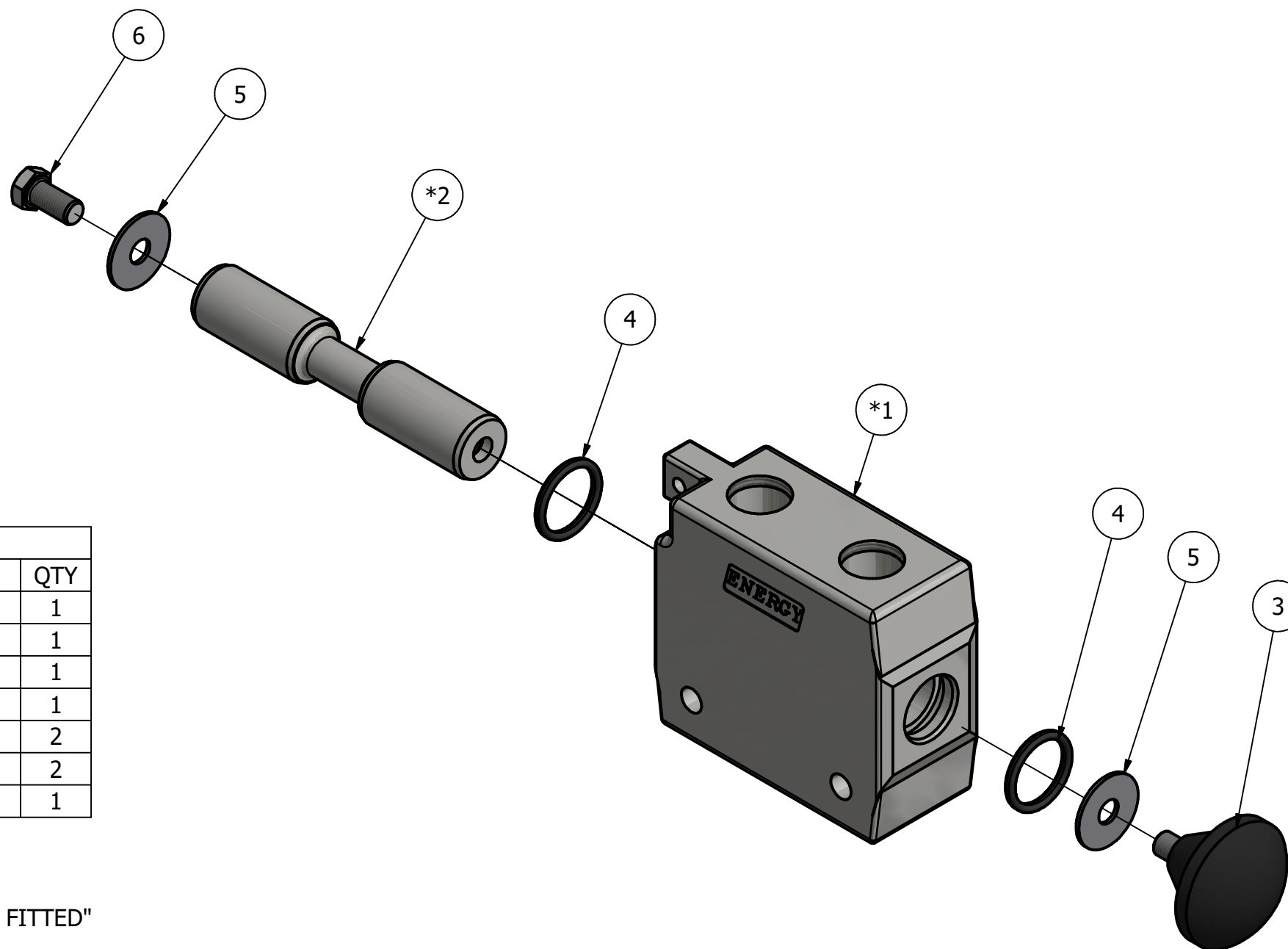
Energy Mfg. Co., Inc.
 204 Plastic Lane; Monticello IA, 52310-9472 USA
 Phone: (319) 465-3537 Fax: (319) 465-5279

SELECTOR VALVES
0B001252, 40440B
 website: www.energymfg.com
 e-mail address: info@energymfg.com

MODEL 0B001252 - 3-WAY, 2-POSITION, DETENTED DIRECTIONAL CONTROL SELECTOR VALVE WITH KNOB OPERATOR (3/4" NPTF PORTS)

MODEL 40440B - 3-WAY, 2-POSITION, DETENTED DIRECTIONAL CONTROL SELECTOR VALVE WITH KNOB OPERATOR (1-1/16"-12 UN [SAE #12] PORTS)

Maximum Operating Pressure 3000 PSIG (207 Bar)



PARTS LIST			
ITEM	PART NUMBER	DESCRIPTION	QTY
*1	0B001177	SELECTOR VALVE BODY (3/4" NPTF PORTS)	1
-	32116B	SELECTOR VALVE BODY (SAE #12 PORTS)	1
*2	0A003300	SPOOL	1
3	0A003298	KNOB	1
4	00080316	O-RING	2
5	0A003346	WASHER	2
6	00080796	SCREW	1

*NOTE: Valve body and spool are to be ordered together as they are "SELECT FITTED"