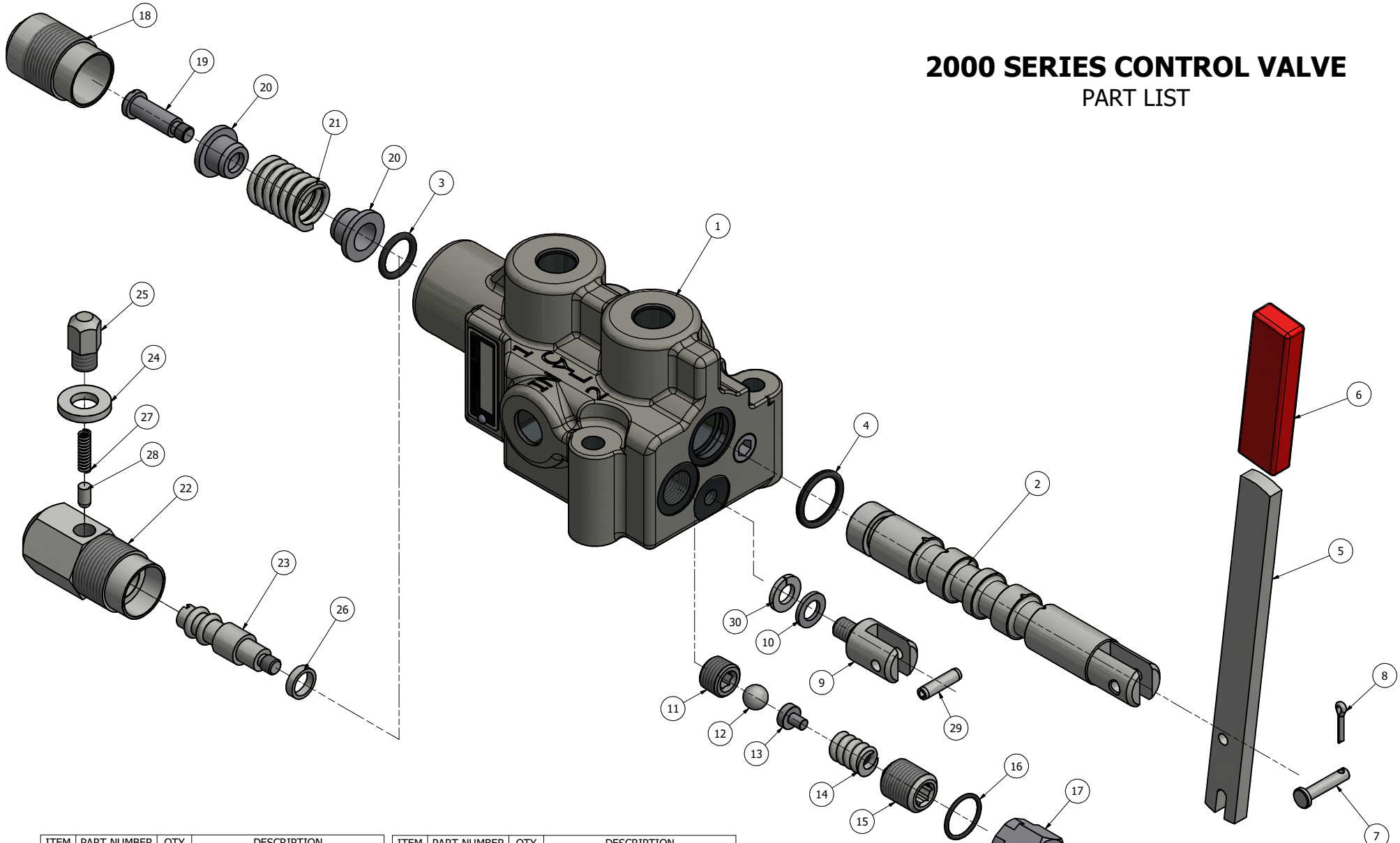


# 2000 SERIES CONTROL VALVE PART LIST



ITEM	PART NUMBER	QTY	DESCRIPTION
1	1156	1	VALVE BODY (NOT AVAILABLE)
2	1157	1	SPOOL, 4-WAY (NOT AVAILABLE)
3	1170	1	O-RING
4	1171	1	O-RING
5	1326	1	LEVER
6	1183	1	GRIP
7	1344	1	CLEVIS PIN
8	1347	1	COTTER PIN
9	1325	1	LEVER CLEVIS
10	1030	1	WASHER, ALUMINUM
29	1182	1	ROLL PIN, 3/16 X 3/4
30	1327	1	WASHER, 5/16" LOCK

ITEM	PART NUMBER	QTY	DESCRIPTION
	1349		RELIEF ASSEMBLY KIT
11	1169	1	SEAT, RELIEF VALVE
12	1168	1	BALL STL 0.375 CHROME GR 25
13	1167	1	SOCKET, 3/16 BALL
14	1166	1	SPRING, 2000 RELIEF VALVE
15	1051	1	SCREW, 5/8-18 RELIEF ADJUSTING
16	2819	1	O-RING, METRIC
17	1164	1	RELIEF VALVE CAP
	1313		SPRING CENTERED ASSEMBLY KIT
18	1160	1	VALVE SPOOL CAP
19	1162	1	SHOULDER BOLT
20	1161	2	SEAT, INSERT VALVE
21	1163	1	SPRING, 2000 SPOOL CENTERING

ITEM	PART NUMBER	QTY	DESCRIPTION
	1314		THREE POSITION DETENT KIT
22	1184	1	CAP, 1000/2000 VALVE DETENT
23	1346	1	DETENT BOLT
24	1186	1	STOP, 2000 DETENT SPOOL
25	1188	1	CAP, DETENT POINT
26	1190	1	DETENT SPRING CAP WASHER
27	1187	1	SPRING, DETENT POINT
28	1189	1	POINT, DETENT

**WILLIAMS**  
**MACHINE & TOOL**  
 204 PLASTIC LN  
 MONTICELLO, IA 52310-9472  
 (319) 465-3537  
 www.energymfg.com