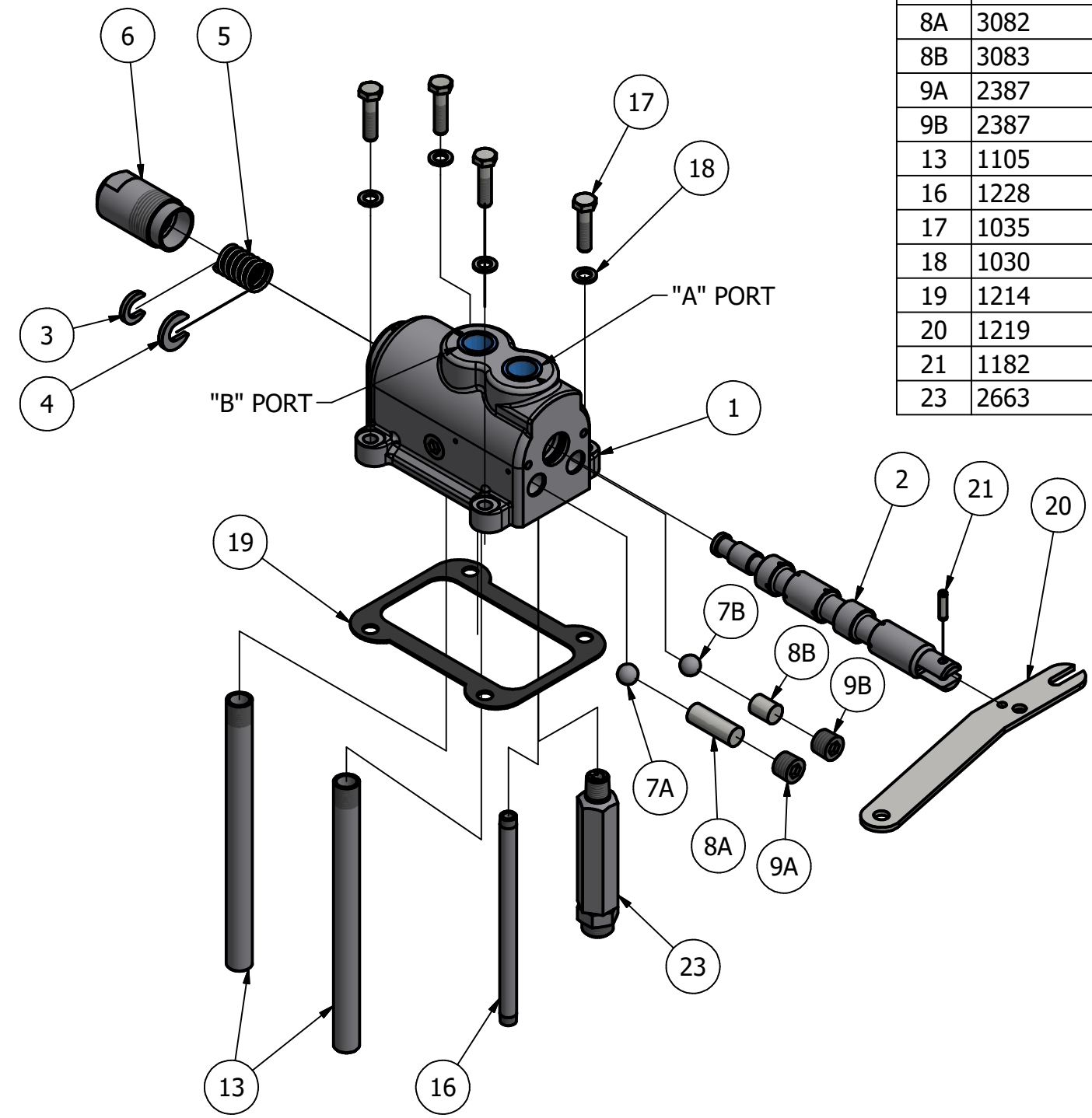
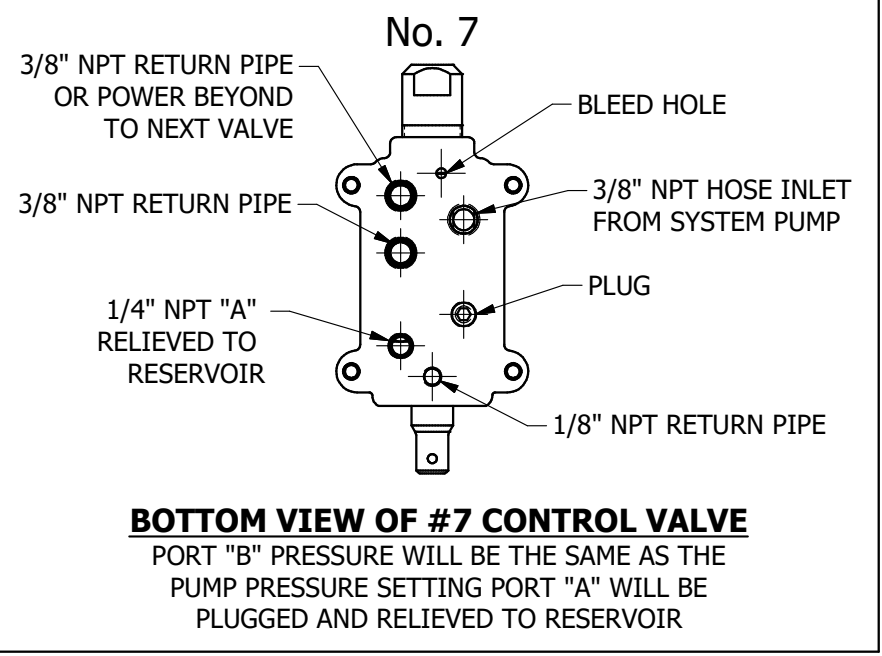


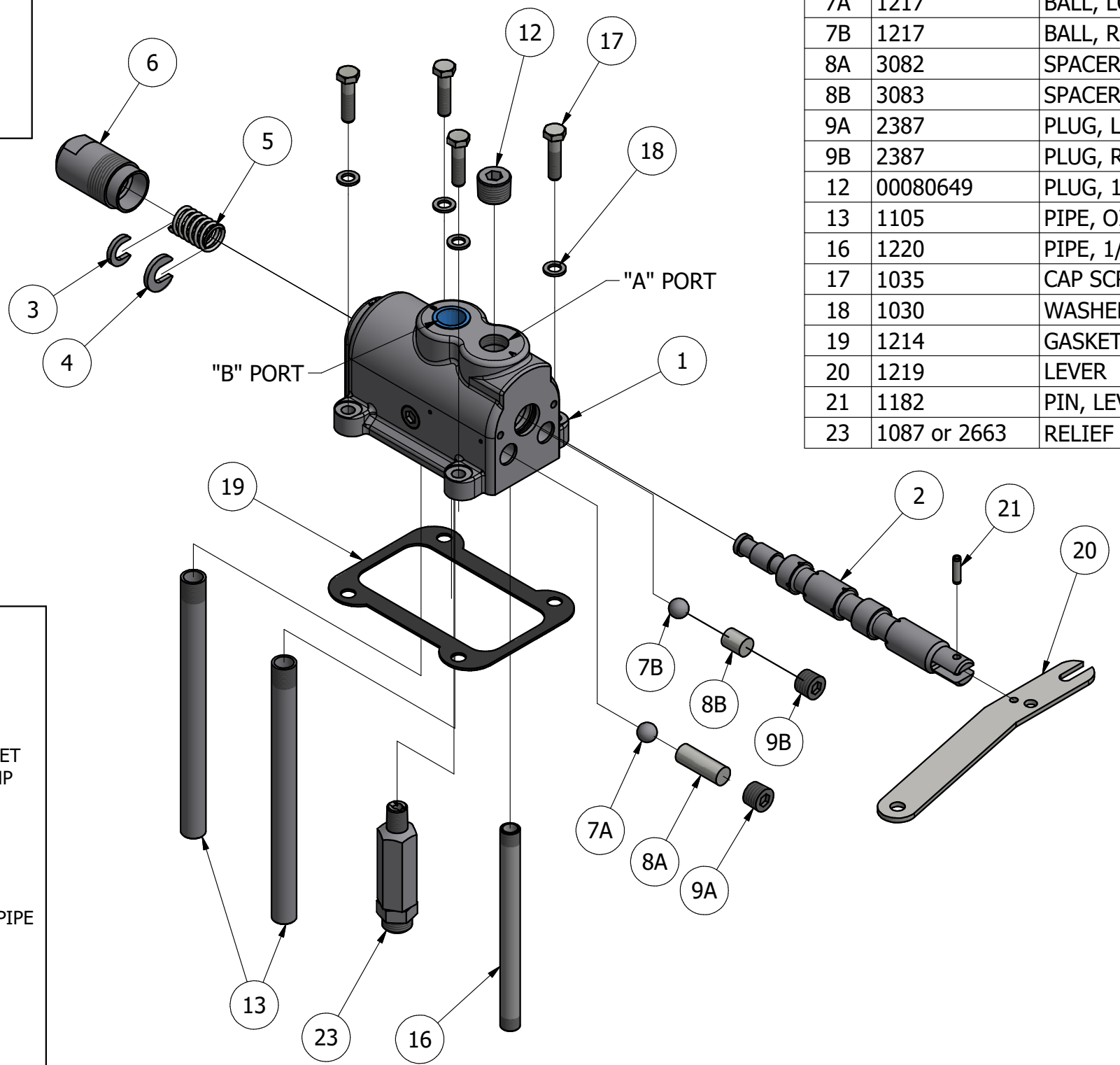
**NO. 6 LOAD CHECK VALVE**  
 (4-WAY DOUBLE-ACTING)



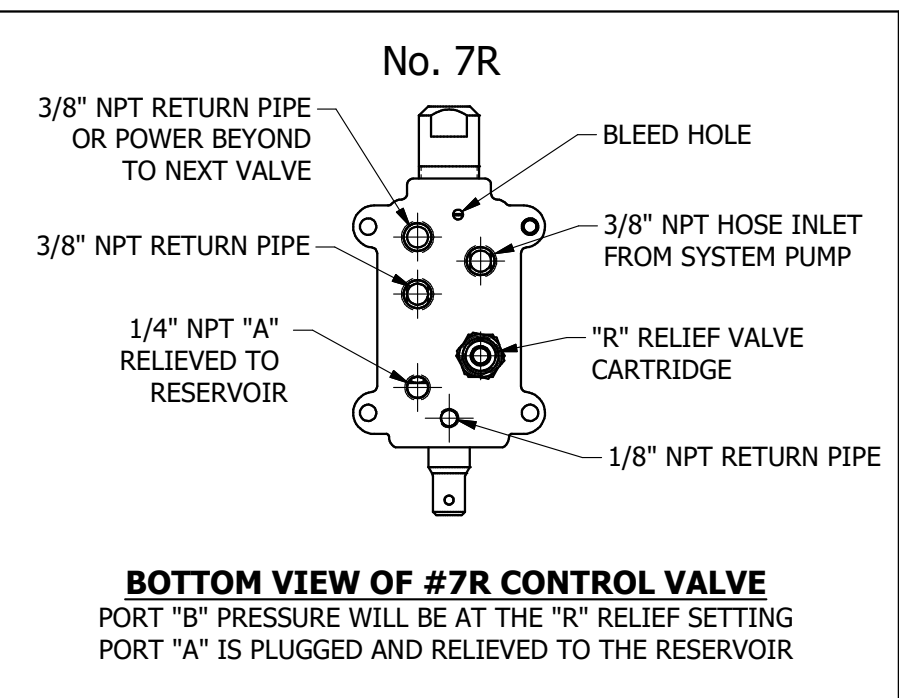
PARTS LIST			
ITEM	PART NUMBER	DESCRIPTION	QTY
A		LOW PRESSURE PORT	
B		HIGH PRESSURE PORT	
1	2155	CASTING (NOT SOLD SEPARATELY)	1
2	1210	SPOOL (NOT SOLD SEPARATELY)	1
3	1020	KEY, SPOOL STOP 3/4" (19.1 mm)	1
4	1213	KEY, SPOOL STOP 7/8" (22.2 MM)	1
5	1021	SPRING, CENTERING	1
6	1212	CAP, SPOOL	1
7A	1217	BALL, LOAD CHECK	1
7B	1217	BALL, RE-CYCLE CHECK	1
8A	3082	SPACER, LOAD CHECK	1
8B	3083	SPACER, RE-CYCLE CHECK	1
9A	2387	PLUG, LOAD CHECK	1
9B	2387	PLUG, RE-CYCLE CHECK	1
13	1105	PIPE, 3/8 NPT RETURN	2
16	1228	PIPE, FLO-BY, 1/8" NPT X 6" (15.2cm)	1
17	1035	CAP SCREW	4
18	1030	WASHER	4
19	1214	GASKET	1
20	1219	LEVER	1
21	1182	PIN, LEVER	1
23	2663	RELIEF CARTRIDGE ("C" OR "R")	1

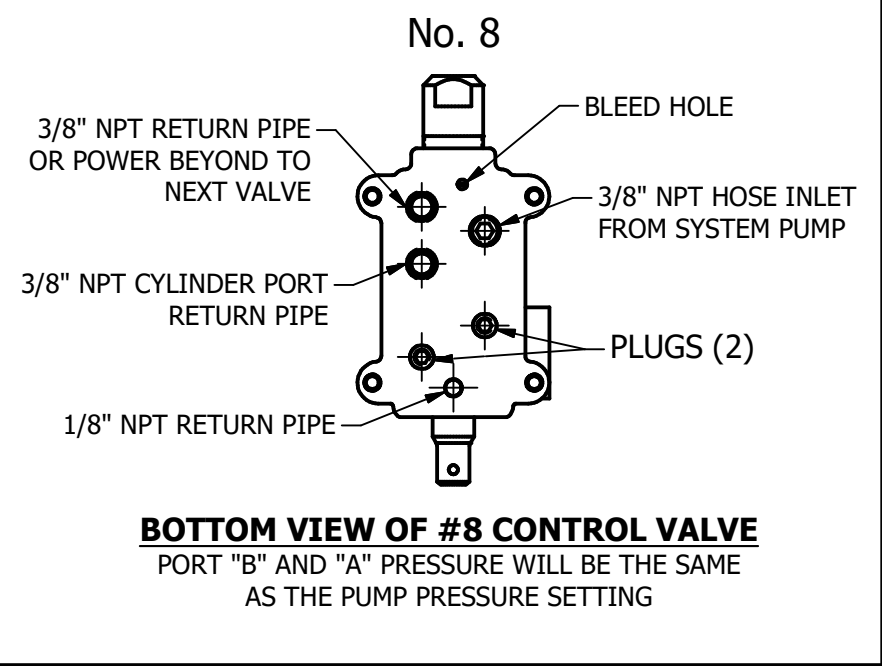


## NO. 7 LOAD CHECK VALVE (3-WAY SINGLE-ACTING)

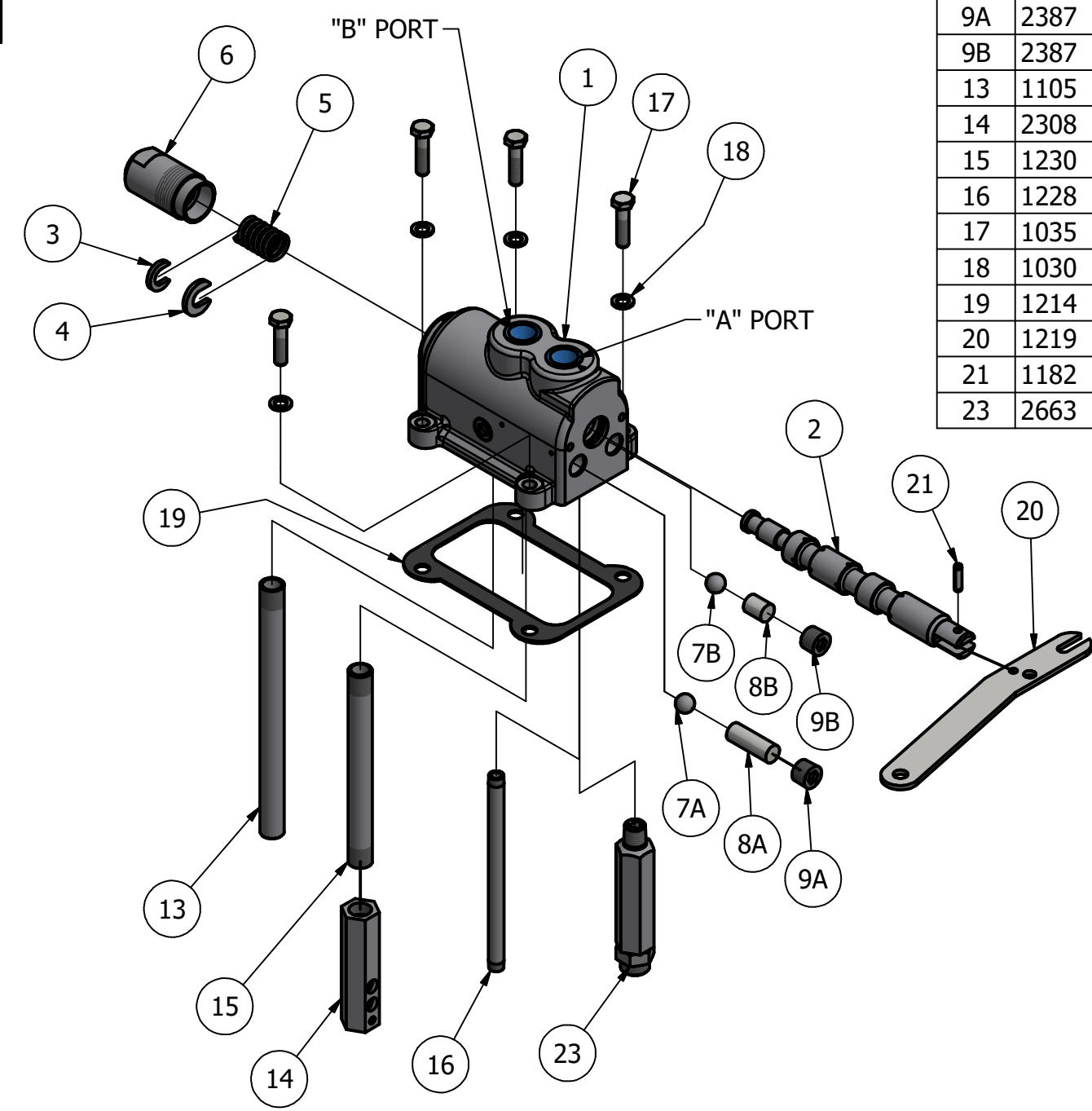


PARTS LIST			
ITEM	PART NUMBER	DESCRIPTION	QTY
A		LOW PRESSURE PORT	
B		HIGH PRESSURE PORT	
1	2155	CASTING (NOT SOLD SEPARATELY)	1
2	1210	SPOOL (NOT SOLD SEPARATELY)	1
3	1020	KEY, SPOOL STOP 3/4" (19.1 mm)	1
4	1213	KEY, SPOOL STOP 7/8" (22.2 mm)	1
5	1021	SPRING, CENTERING	1
6	1212	CAP, SPOOL	1
7A	1217	BALL, LOAD CHECK	1
7B	1217	BALL, RE-CYCLE CHECK	1
8A	3082	SPACER LOAD CHECK	1
8B	3083	SPACER RE-CYCLE CHECK	1
9A	2387	PLUG, LOAD CHECK	1
9B	2387	PLUG, RE-CYCLE CHECK	1
12	00080649	PLUG, 1/2 NPT ZINC/VIBRA-SEAL	1
13	1105	PIPE, OIL RETURN	2
16	1220	PIPE, 1/4 NPT X 6" (15.2cm)	1
17	1035	CAP SCREW	4
18	1030	WASHER, ALUMINUM	4
19	1214	GASKET	1
20	1219	LEVER	1
21	1182	PIN, LEVER	1
23	1087 or 2663	RELIEF CARTRIDGE ("R")	1





## NO. 8 RE-CYCLE VALVE (4-WAY DOUBLE-ACTING - LOAD CHECK)



PARTS LIST			
ITEM	PART NUMBER	DESCRIPTION	QTY
A		LOW PRESSURE PORT	
B		HIGH PRESSURE PORT	
1	2155	CASTING (NOT SOLD SEPARATELY)	1
2	1210	SPOOL (NOT SOLD SEPARATELY)	1
3	1020	KEY, SPOOL STOP 3/4" (19.1 mm)	1
4	1213	KEY, SPOOL STOP 7/8" (22.2 mm)	1
5	1021	SPRING, CENTERING	1
6	1212	CAP, SPOOL	1
7A	1217	BALL, LOAD CHECK	1
7B	1217	BALL, RE-CYCLE CHECK	1
8A	3082	SPACER, LOAD CHECK	1
8B	3083	SPACER, RE-CYCLE CHECK	1
9A	2387	PLUG, LOAD CHECK	1
9B	2387	PLUG, RE-CYCLE CHECK	1
13	1105	PIPE, OIL RETURN	1
14	2308	VARIABLE RESTRICTOR ASSM.	1
15	1230	PIPE NIPPLE	1
16	1228	PIPE, FLO-BY, 1/8" NPT X 6" (15.2 cm)	1
17	1035	Cap Screw	4
18	1030	WASHER	4
19	1214	GASKET	1
20	1219	LEVER	1
21	1182	PIN, LEVER	1
23	2663	RELIEF CARTRIDGE ("C")	1

